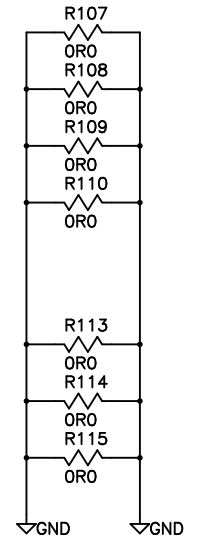
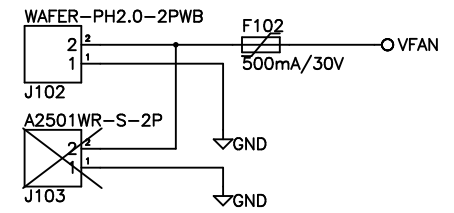
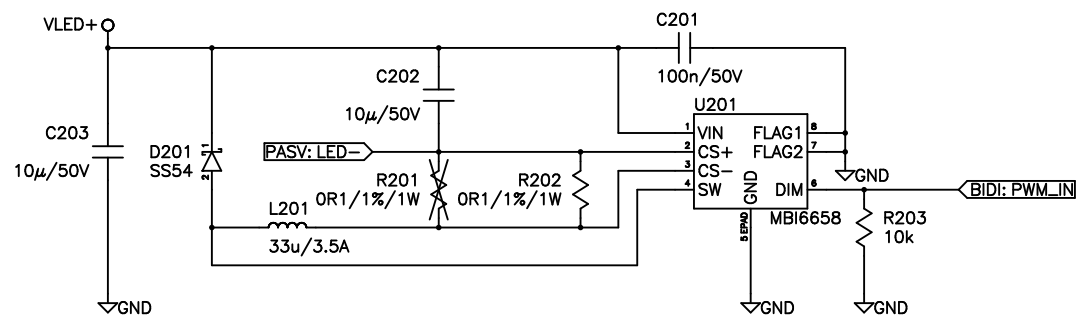


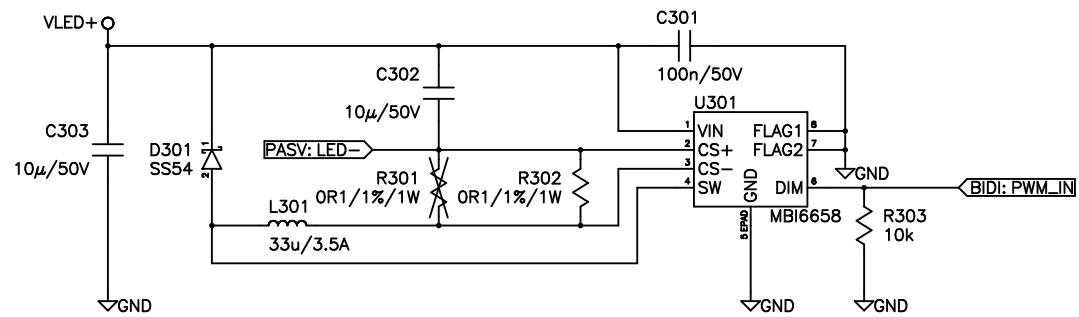
### Fan Sockets



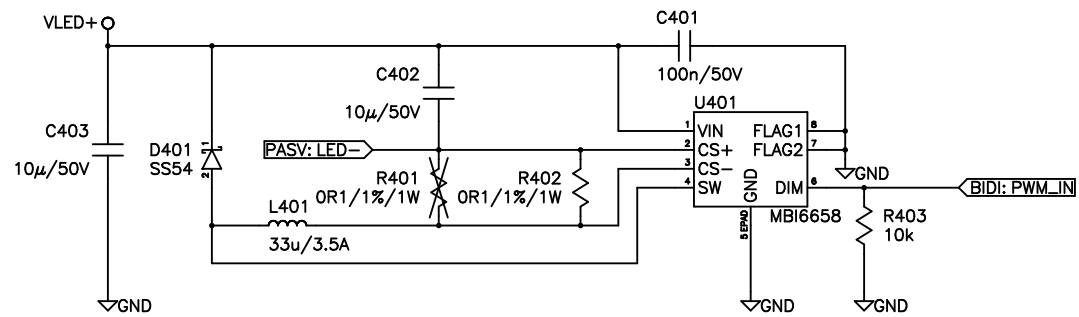
Sheet Main	Number 1/8
Project BLB0665S	Revision 2
Drawn by LI Wei	
License CERN OSHL-2.0-S	
Date 2025-04-05	



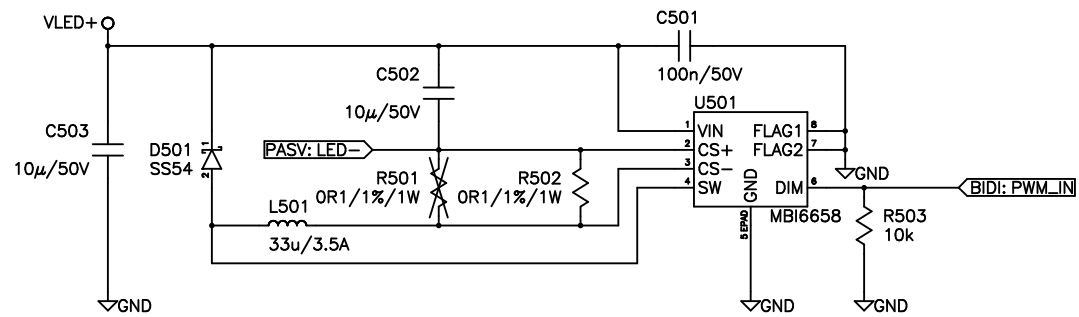
Sheet	First sheet	Number	2/8
Project	BLB0665S	Revision	2
Drawn by	LI Wei		
License	CERN OSHL-2.0-S		
Date	2025-04-05		



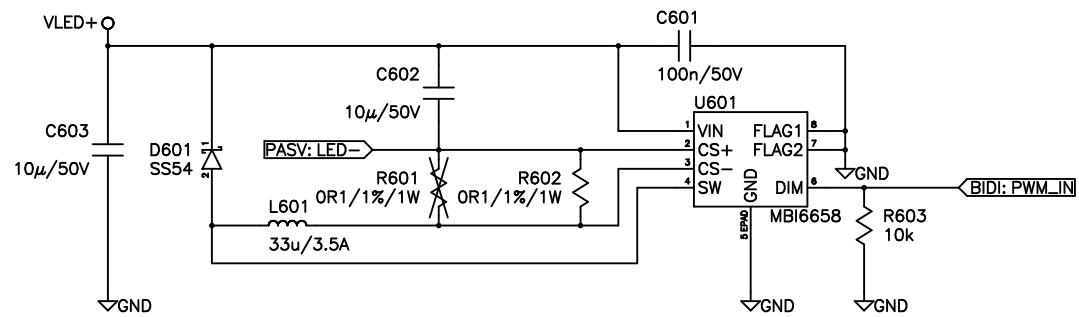
Sheet	First sheet	Number	3/8
Project	BLB0665S	Revision	2
Drawn by	LI Wei		
License	CERN OSHL-2.0-S		
Date	2025-04-05		



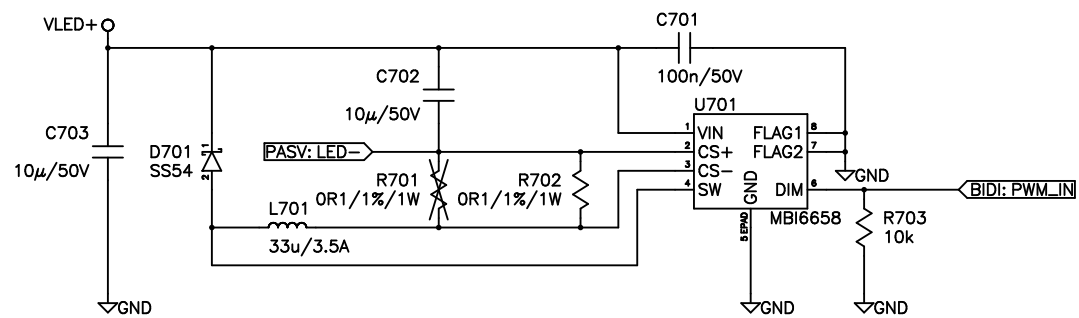
Sheet	First sheet	Number	4/8
Project	BLB0665S	Revision	2
Drawn by	LI Wei		
License	CERN OSHL-2.0-S		
Date	2025-04-05		



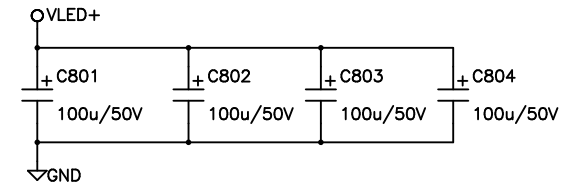
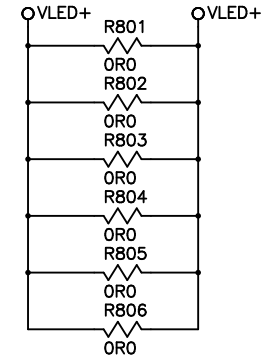
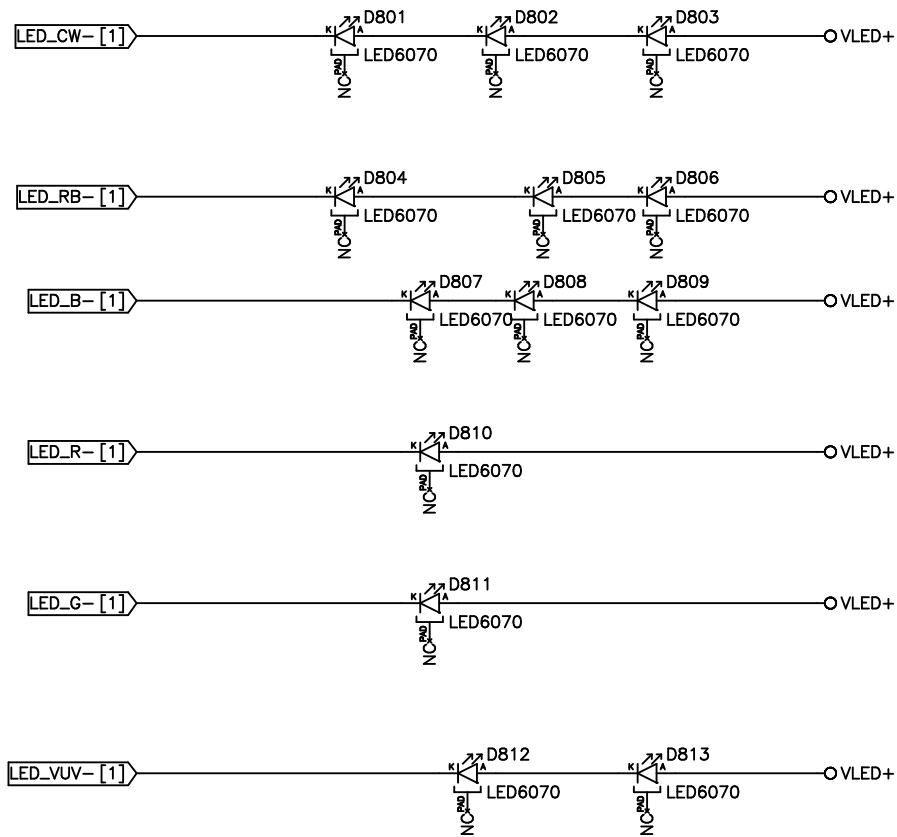
Sheet	First sheet	Number	5/8
Project	BLB0665S	Revision	2
Drawn by	LI Wei		
License	CERN OSHL-2.0-S		
Date	2025-04-05		



Sheet First sheet	Number 6/8
Project BLB0665S	Revision 2
Drawn by LI Wei	
License CERN OSHL-2.0-S	
Date 2025-04-05	



Sheet	First sheet	Number	7/8
Project	BLB0665S	Revision	2
Drawn by	LI Wei		
License	CERN OSHL-2.0-S		
Date	2025-04-05		



Sheet LEDs	Number 8/8
Project BLB0665S	Revision 2
Drawn by LI Wei	
License CERN OSHL-2.0-S	
Date 2025-04-05	