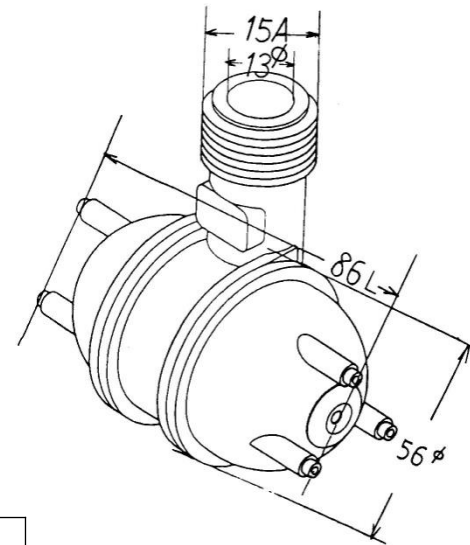


BT-50 Micro-Nano Bubble Nozzle

Simple yet effective Micro-Nano Bubble device for various applications like DAF, aquaculture, hydroponics etc.

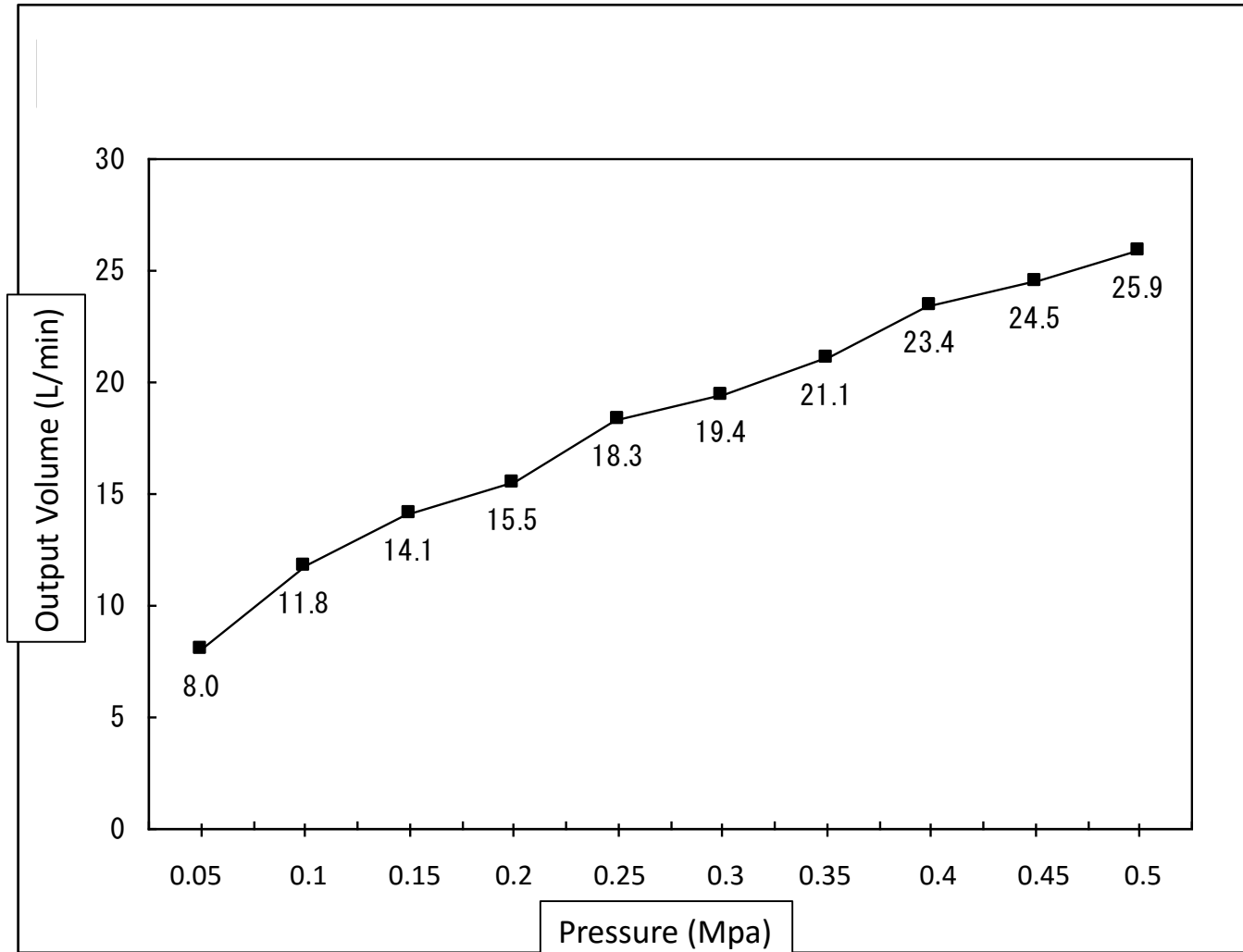
Retail Price: \$250 (ABS), \$525 (PVDF)

Please ask for quantity, distribution partner and OEM pricing.



Pump Pressure	Water Flow Rate	Air Flow Rate
0.25 Mpa	18l/min	0.18-0.9l/m
36 psi	4.76 GPM	
0.3 Mpa	20l/min	0.2-1l/m
43.5 psi	5.28 GPM	

BT-50 Pressure vs Water flow rate

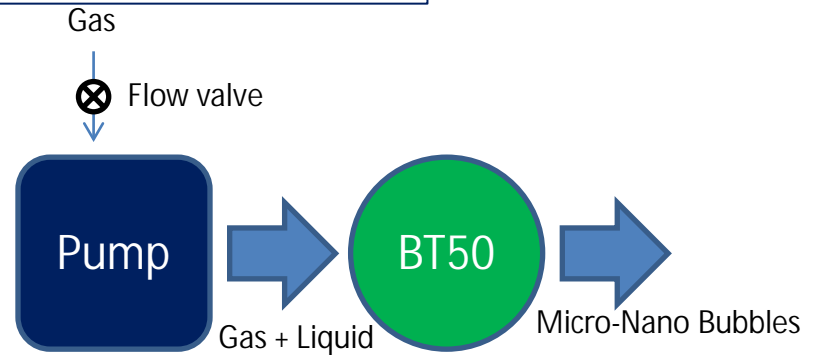
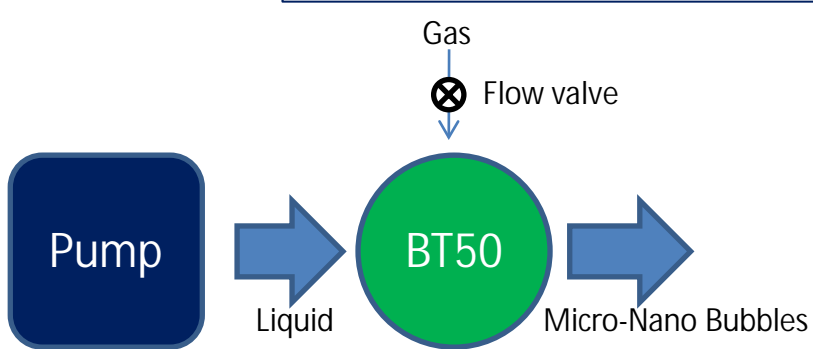


BT50 Connecting diagram

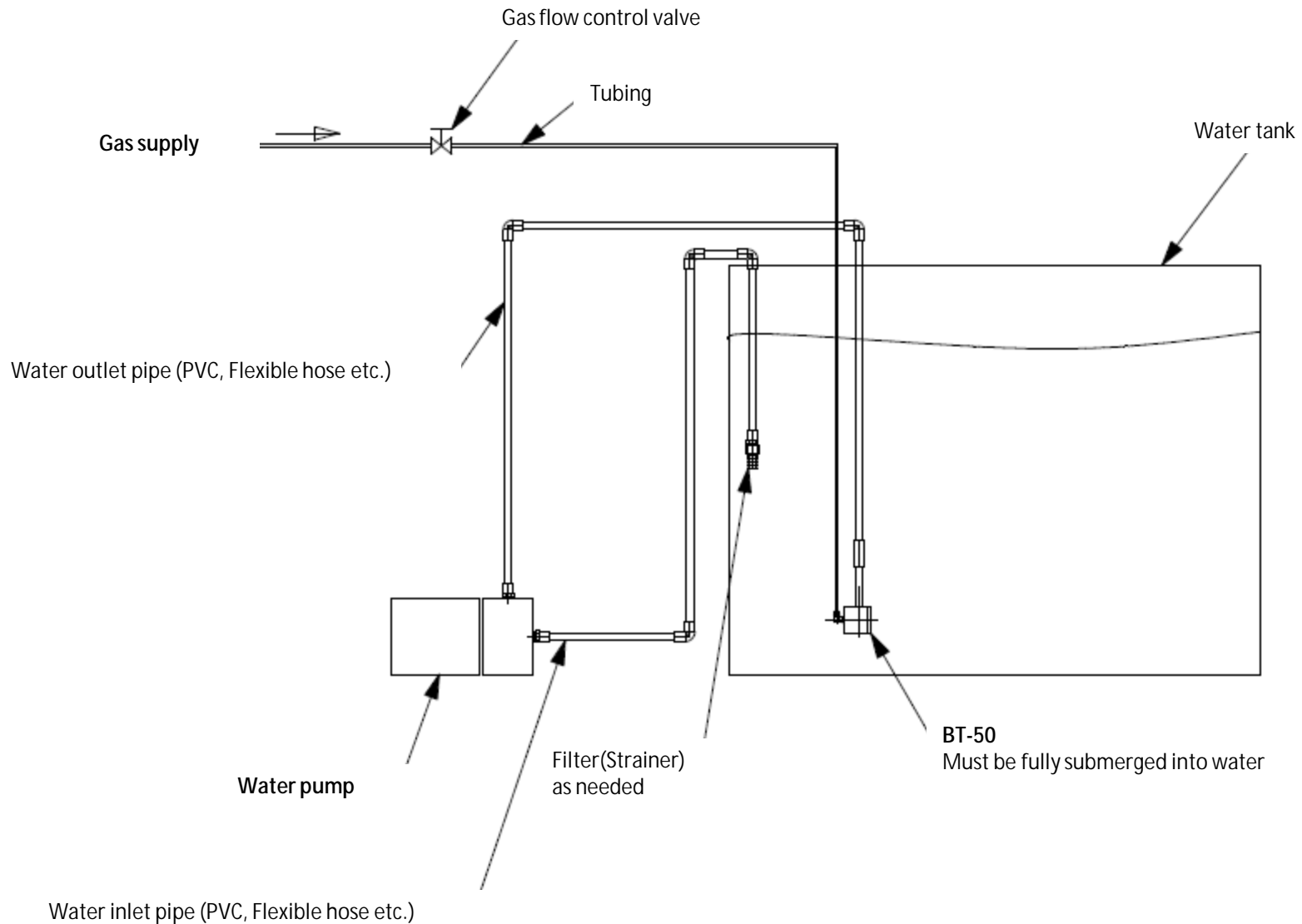
1. Using gas aspiration tube attached to the body

2. Using negative pressure at pump inlet

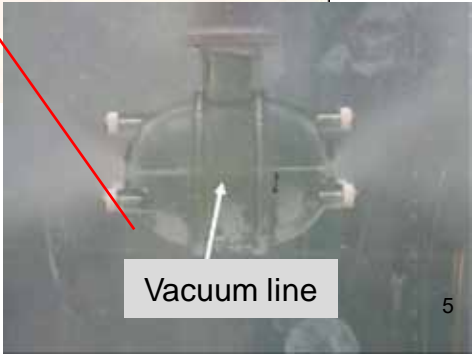
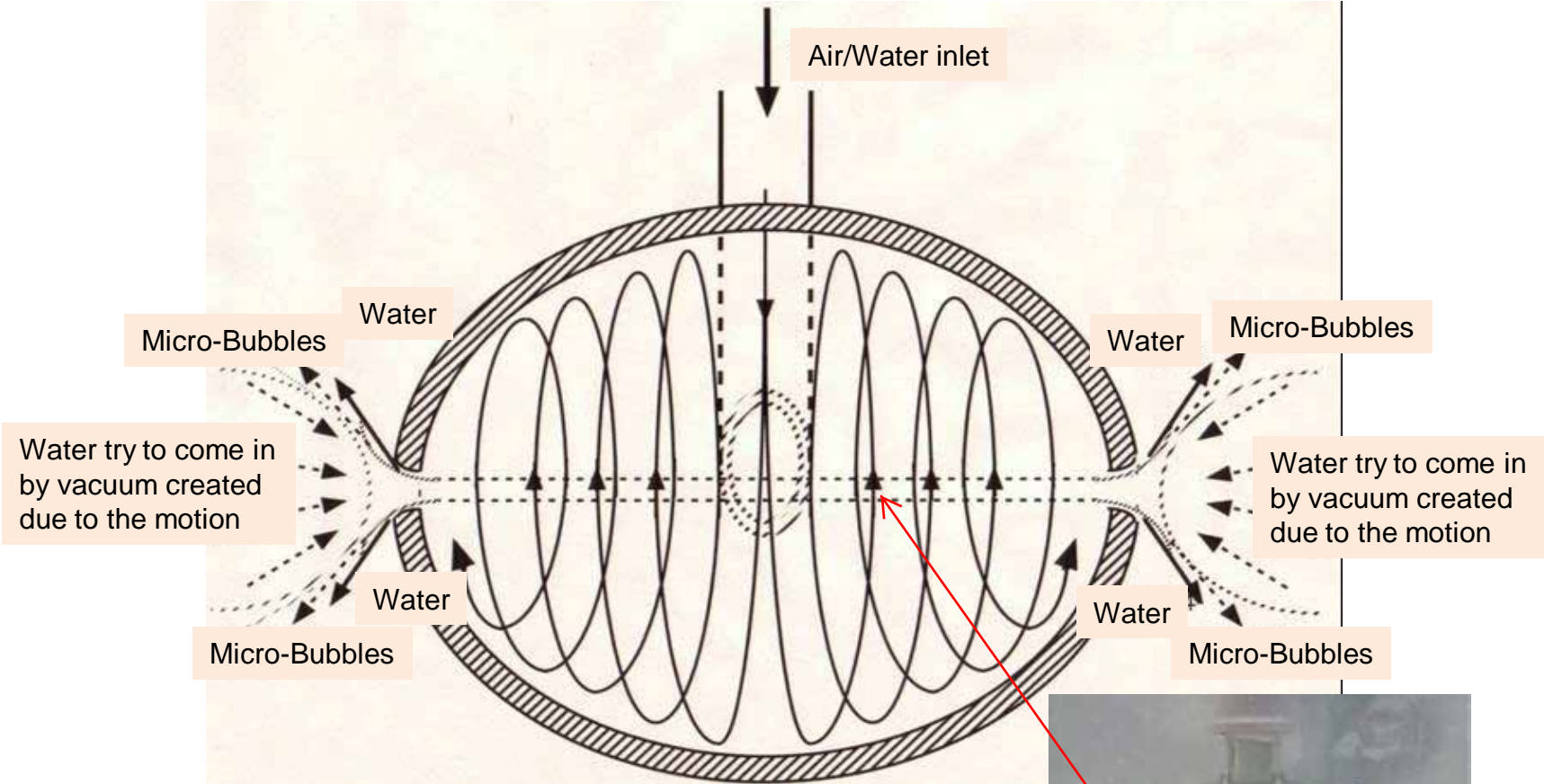
Note: The gas flow should be controlled 1 to 5% of Liquid flow rate



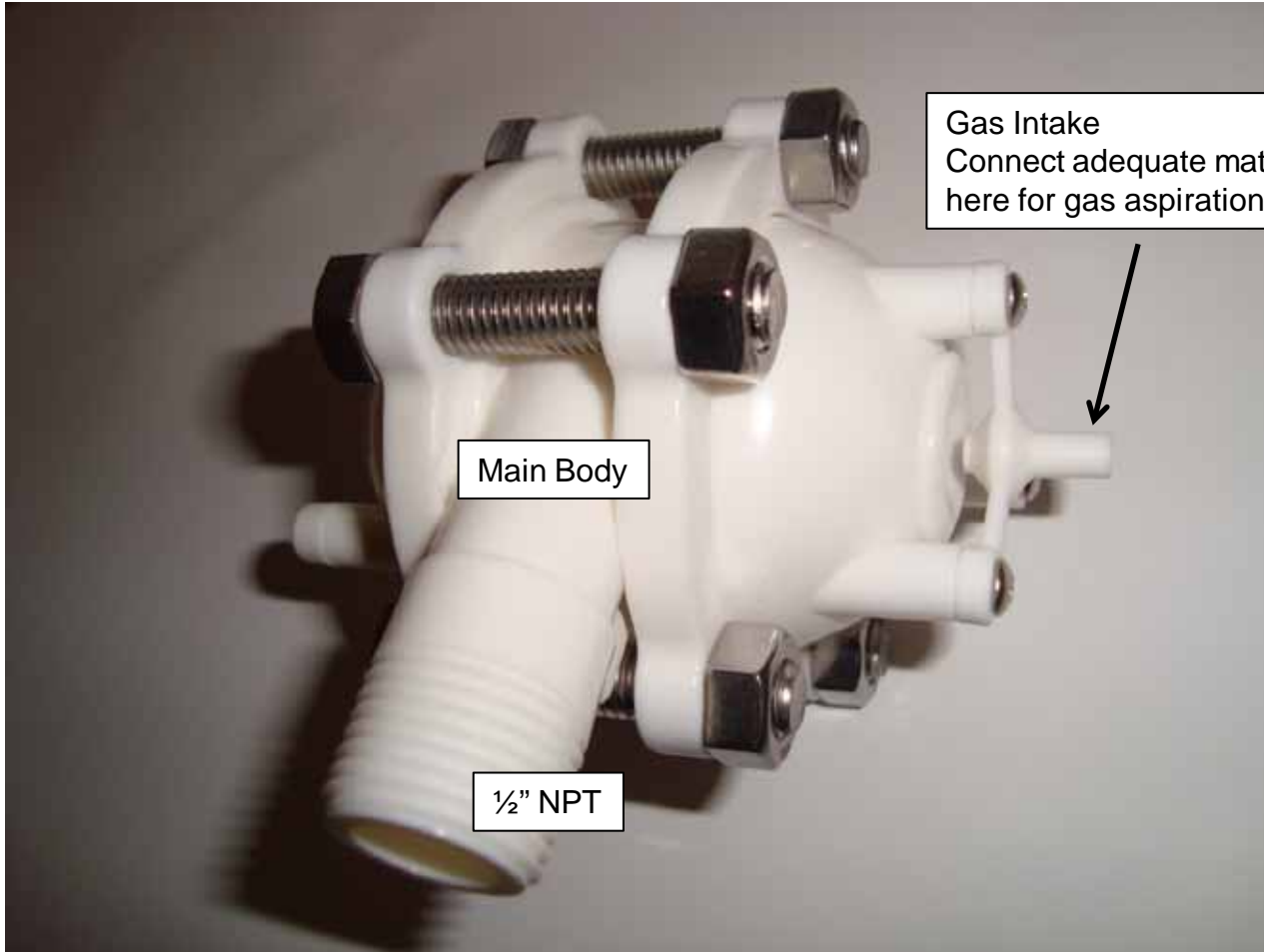
BT-50 Connecting Diagram



BT-50 Turbulent Motion

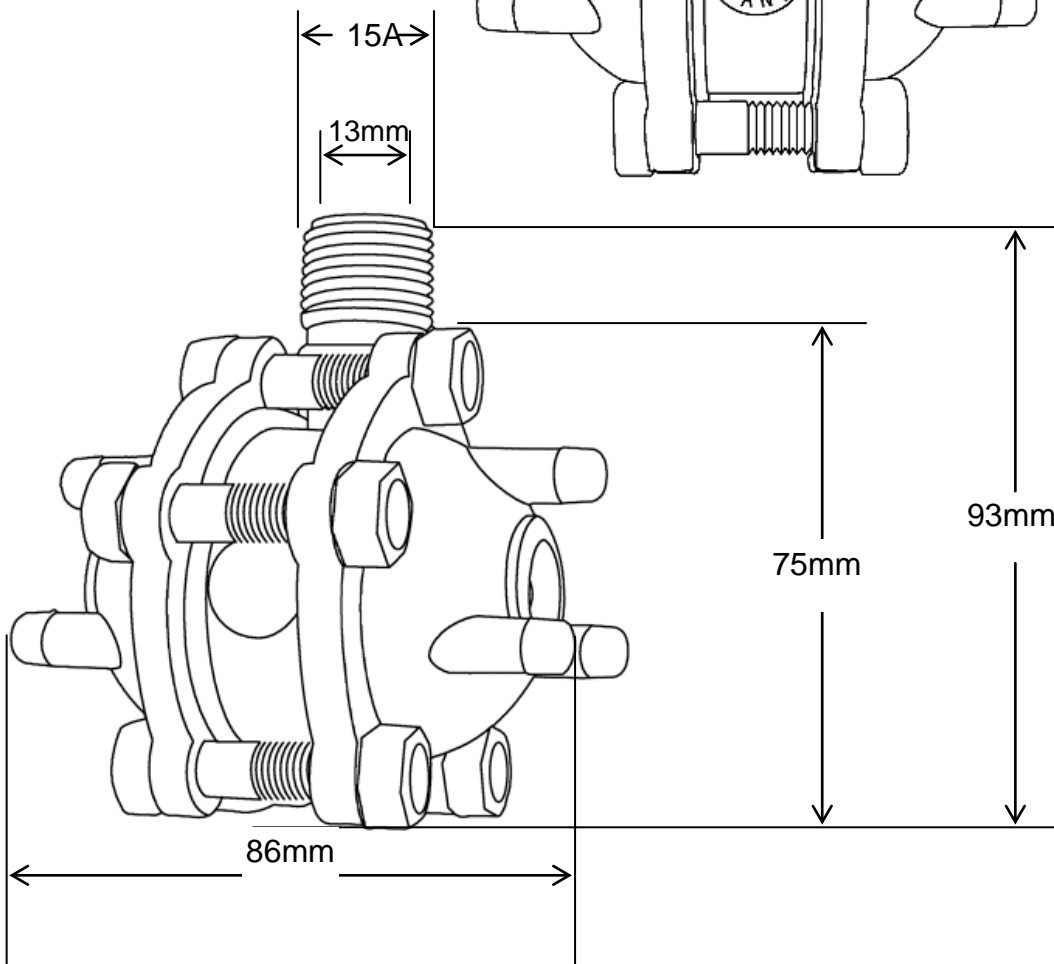
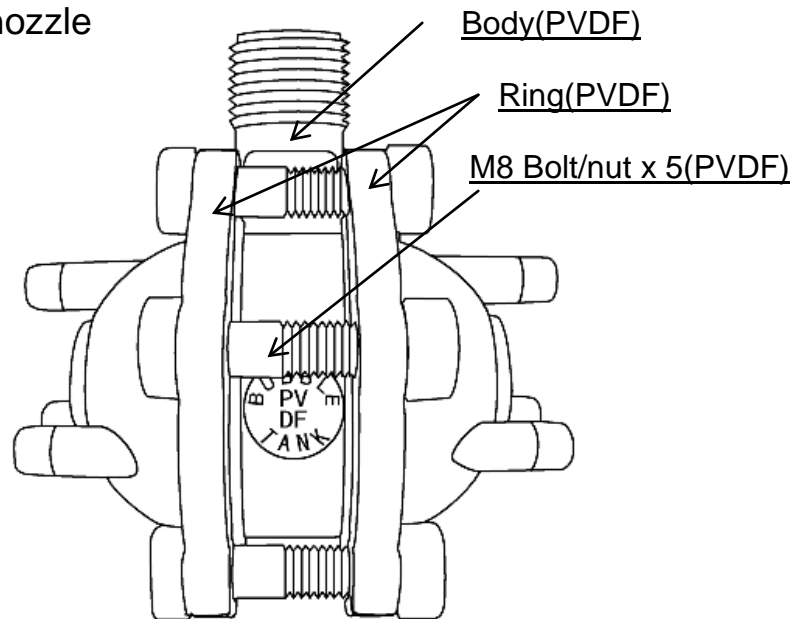


BT-50FR (PVDF Version)



BT-50FR

Micro-Nano Bubble nozzle



BT-50FR (Material: PVDF)

<Feature> Use of ozone, Better thermal stability, Chemical resistance
Ruggedized design

An example of multiple BT-50 connection



BT-50X7

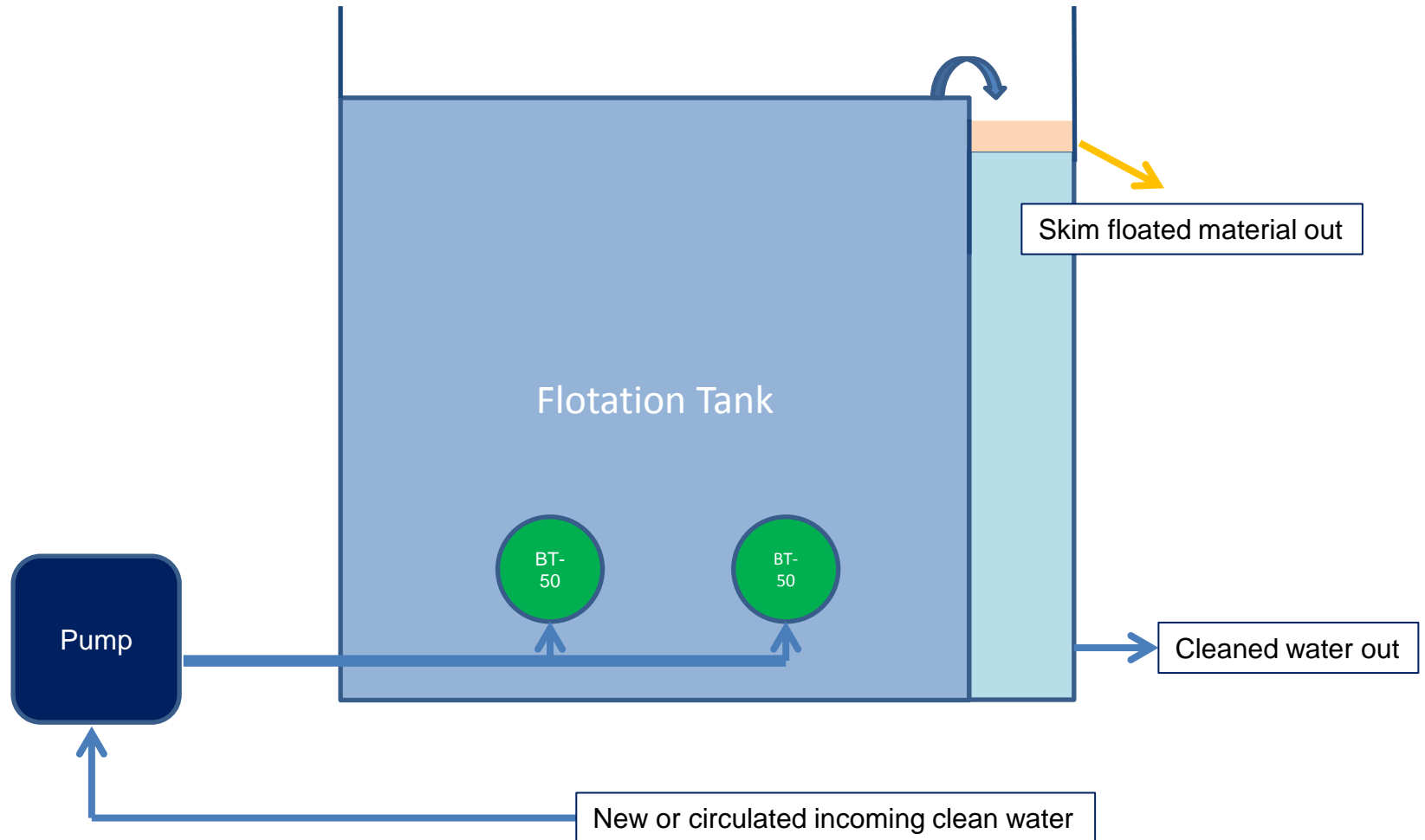
Retail Price: \$990 (ABS).

Please ask for quantity, distribution partner and OEM pricing.



Pump requirement: 100-140lpm (26-37gpm) water flow at 0.25-0.3Mpa(35-42psi) pressure.
Gas volume: 1-2.8lpm

BT-50 for DAF tank



BT-50P for DAF



Added plates reduce rapid water output to avoid unnecessary mixing of water.

» Pumps » Centrifugal » Self Priming Portable Utility

Nonsubmersible Plastic Portable Self Priming Utility Pump

Brand: [Dayton](#)

Model: 3YU60

SKU: 73847



\$188.41

Free 3 Business Day Shipping

ADD TO CART



Total Ratings: 0
Average Rating: 0

REVIEW THIS ITEM

Ask about this item



MORE PRODUCTS



Dayton
Non-Submersible

Model: 4CB57
SKU: 66519

(0 reviews)

\$179.94 + FREE Shipping



Wayne Water Systems
115 Volt Portable Self-Priming Transfer Pump

Model: PC2
SKU: 1354342

(1 reviews)

\$75.95 + FREE Shipping



Dayton
Non-Submersible Plastic
Garden Hose Pump Kit

Model: 3YU61
SKU: 74104

(0 reviews)

\$107.76 + FREE Shipping



Liberty Hardware
Self Priming Centrifugal

PRODUCT INFORMATION

ITEM	Sprinkler/Utility Pump
TYPE	Portable
HP	1/2
PHASE	1
VOLTAGE	115
AMPS	6.5
HZ	60
INLET (IN.)	1
OUTLET (IN.)	1
MOTOR ENCLOSURE	ODP
RPM	3450
MOTOR TYPE	PSC
WETTED MATERIALS	Thermoplastic, Stainless Steel, Brass, Carbon, Ceramic, Buna N
IMPELLER MATERIAL	Plastic with Brass Insert, SS Wear Ring
HOUSING MATERIAL	Plastic
VOLUTE MATERIAL	Plastic
SHAFT MATERIAL	Stainless Steel
SCREW MATERIAL	Stainless Steel
SEAL TYPE	Mechanical
SEAL MATERIAL	Carbon, Ceramic, Buna N
SEAL APPLICATION	Nonflammable and Nonabrasive Liquids compatible with seal component materials up to 90°F
MAX. LIQUID TEMP. (F)	90
SUCTION LIFT (FT.)	25
GPH OF WATER @ 5 PSI	618
GPH OF WATER @ 10 PSI	594
GPH OF WATER @ 15 PSI	588
GPH OF WATER @ 20 PSI	576
GPH OF WATER @ 25 PSI	456
GPH OF WATER @ 30 PSI	366
GPH OF WATER @ 35 PSI	294

GPH OF WATER @ 40 PSI	252
GPM OF WATER @ 5 FT. OF HEAD	10.3
GPM OF WATER @ 10 FT. OF HEAD	9.9
GPM OF WATER @ 15 FT. OF HEAD	9.8
GPM OF WATER @ 20 FT. OF HEAD	9.6
GPM OF WATER @ 25 FT. OF HEAD	7.6
GPM OF WATER @ 30 FT. OF HEAD	6.1
GPM OF WATER @ 35 FT. OF HEAD	4.9
GPM OF WATER @ 40 FT. OF HEAD	4.2
MAX. HEAD (FT.)	134
MAX. PRESSURE (PSI)	58
CORD	10 ft.
BEST EFFICIENCY GPM @ HEAD (FT.)	N@A
MAX. SPECIFIC GRAVITY	1.0
MAX. CASE PRESSURE (PSI)	58
MAX. FLUID VISCOSITY	100 SSU
IMPELLER TYPE	Closed Impeller
BEARING TYPE	Ball
DUTY	Continuous
MAX. DIA. SOLIDS (IN.)	Clear water Only
AGENCY COMPLIANCE	UL Listed
MANUFACTURERS WARRANTY LENGTH	1 Year
APPLICATION	To Transfer Water, Run Multiple Lawn Sprinklers or Boost City Water Pressure Up to 40 PSI for Washing Cars, Boats and Farm Equipment
FOR USE WITH	Nonflammable Liquids Compatible with Pump Materials
HEIGHT (IN.)	10.0
LENGTH (IN.)	14.5
WIDTH (IN.)	7.8
INCLUDES	1" FNPT x 3/4" Garden hose adapters
WEIGHT	18.00

- Portable Utility/Sprinkler Pump
- Versatile self-priming pump transfers water, runs multiple lawn sprinklers (using water from lakes, streams, and ponds), or boosts city water pressure.
- Overload protection and On-Off switch. Plastic impeller, and convenient built-in carrying handle. Includes garden hose adapters.
- Mechanical carbon ceramic Buna N seal
- WARNING: Use only with nonflammable liquids compatible with pump component materials and in nonflammable/nonexplosive atmospheres.
- California Proposition 65 Warning: This product contains a product known to the State of California to cause cancer. Warning: This product contains a chemical known to the State of California to cause birth defects or other reproductive harm.

NonSubmersible Plastic Portable Self Priming Utility Pump, HP Rating 1/2, Voltage @ 60 Hz 115, Current @ 115 VAC 7.2 Amps, Manual Switch, Water Flow @ 5 Feet of Head 6.1 GPM, Shut Off @ 51 Feet, Discharge NPT 1 Inches, Maximum Solid Handling 1/4 inch, Maximum Temperature 90 Degrees F, Cord 16/3 x 10 Feet, Height 9 Inches

Pump

Model: 331
SKU: 118395

+++++ (0 reviews)
\$321.82 + \$13.61 Shipping



Wayne Water Systems
1/2 HP Portable Cast-Iron
Transfer Pump

Model: PC4
SKU: 1354343

+++++ (0 reviews)
\$110.75 + \$15.39 Shipping

(Out of Stock)

CUSTOMER SERVICE

Contact Us
720-204-3660
Help / FAQ

SHIPPING + RETURNS

Shipping Policy
Cancellations / Changes
Returns

ACCOUNT

Login / Register
My Account
Order Status

COMPANY INFO

About Us
Testimonials
Privacy Policy